



California's Largest Manufactured Housing Supplier
 Ph. 951-674-4011 • Fax 951-674-5720 • www.sedcopier.com
 33320 Mission Trail • Wildomar, CA 92595

SPECIFICATIONS

Table 1: Footing Pad Allowable Loads

Pad Identification	Nominal Pad Diameter (in.)	Pad Capacity ¹ 1500 psf soil (lbf)	Pad Capacity ¹ 3000 psf soil (lbf)
Model #10	10	810 ²	1622 ²
Model #16	16	2100 ²	4200 ²

¹ Pad capacity is limited by the lesser of the following criteria; the peak load divided by a safety factor of 3, the soil capacity, load at 3/4-in. deflection

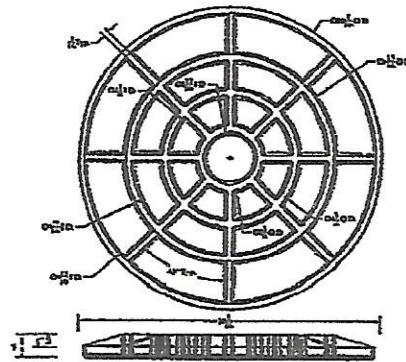
² Pad capacity is limited to soil capacity

Characteristics

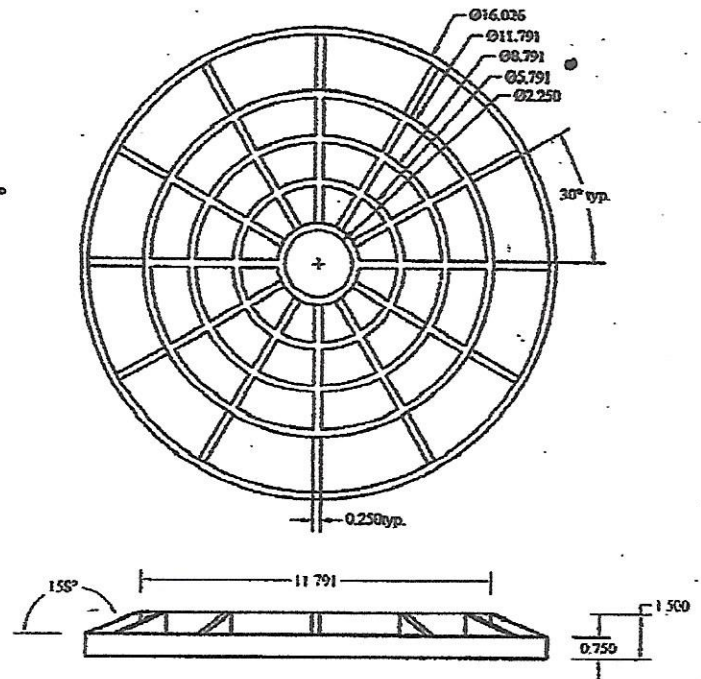
Density 1.13g/cm³
 Stiffness 535,054 psi
 Izod Impact 0.95 ft. -lb./in.
 Gardner Impact 164 in.-lb

Benefits:

- UV Stable
- Easy Installation
- Saves time & labor
- Strong and durable
- Eliminates deflection
- Made from 100% recycled materials
- Resists most herbicides and pesticides
- Replaces concrete
- Light weight saves on shipping & handling



10" pad



16" pad